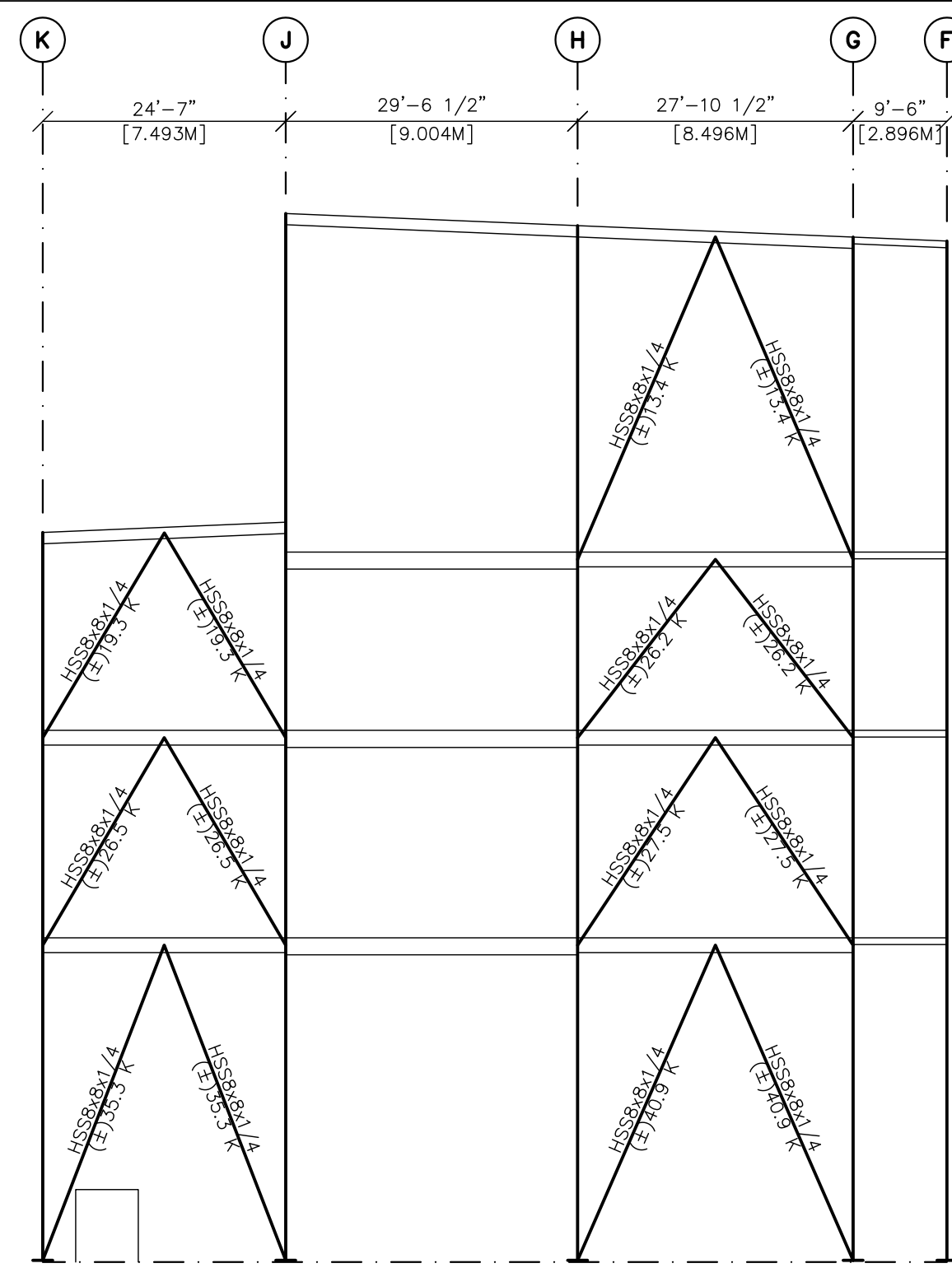
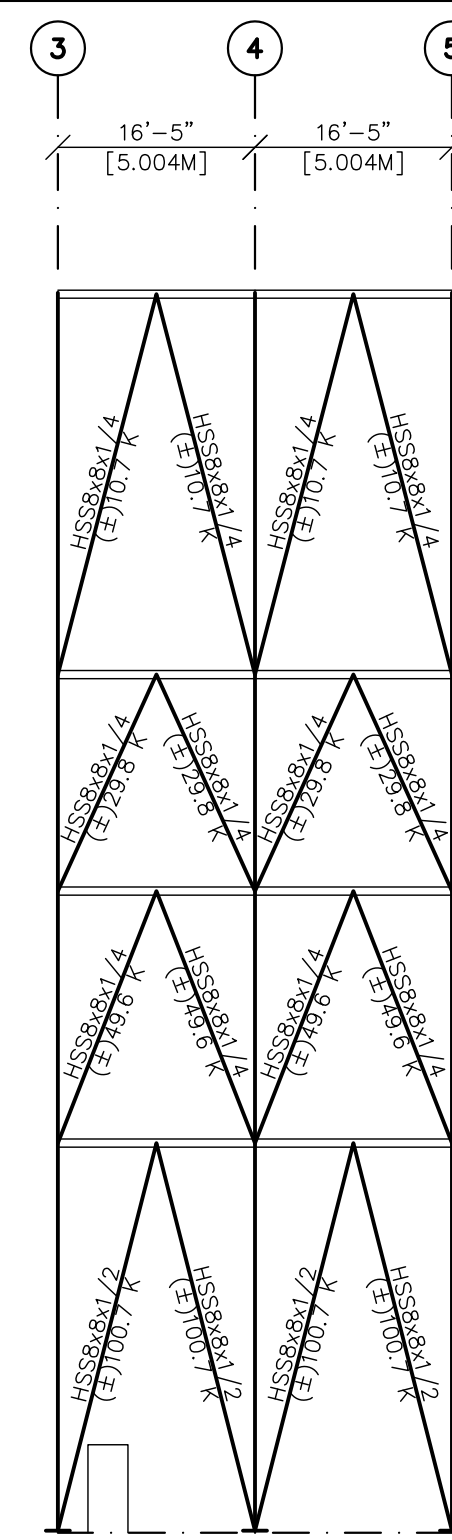


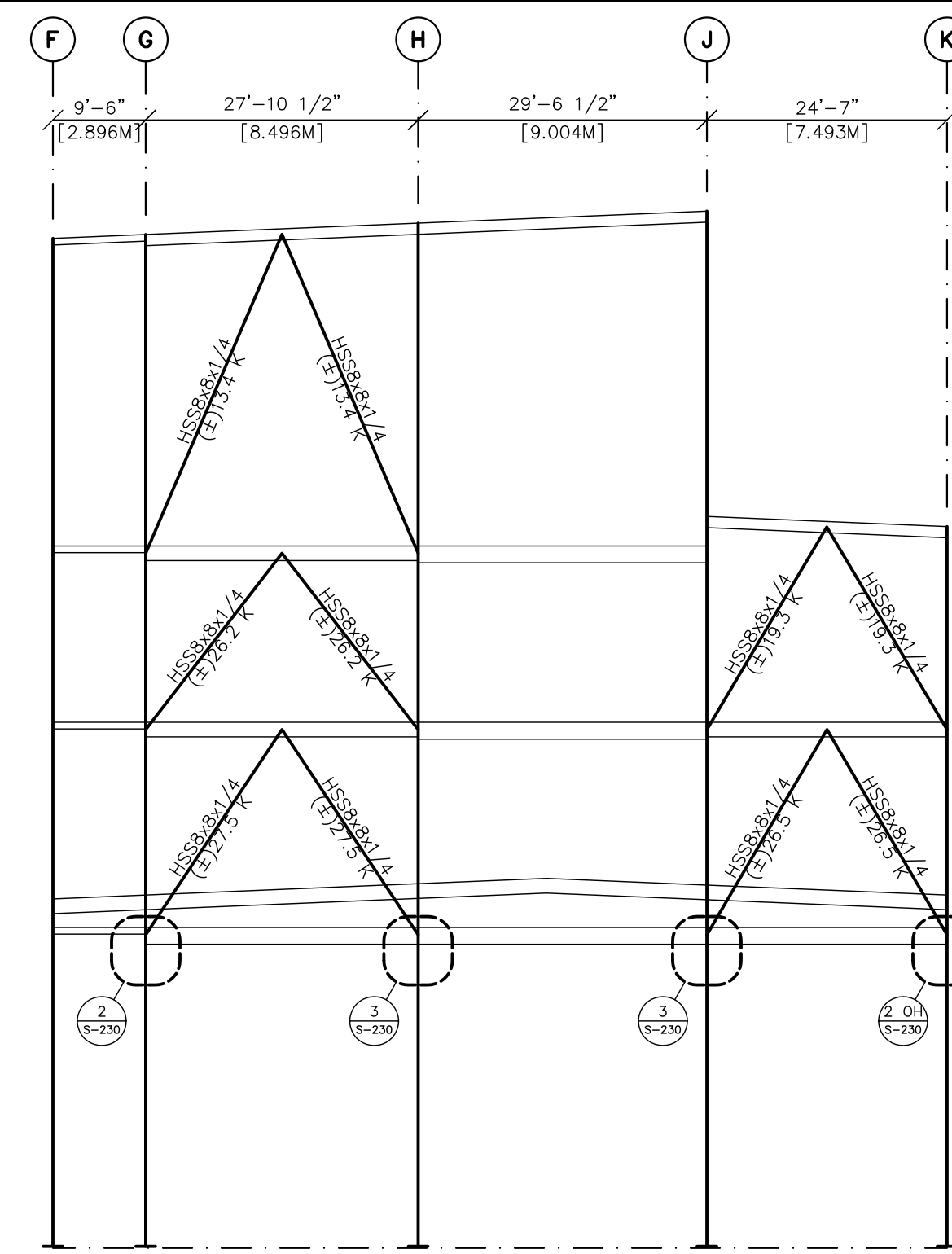
BRACING ELEVATION @ K LINE
STEEL FABRICATOR SHALL DESIGN CONNECTIONS



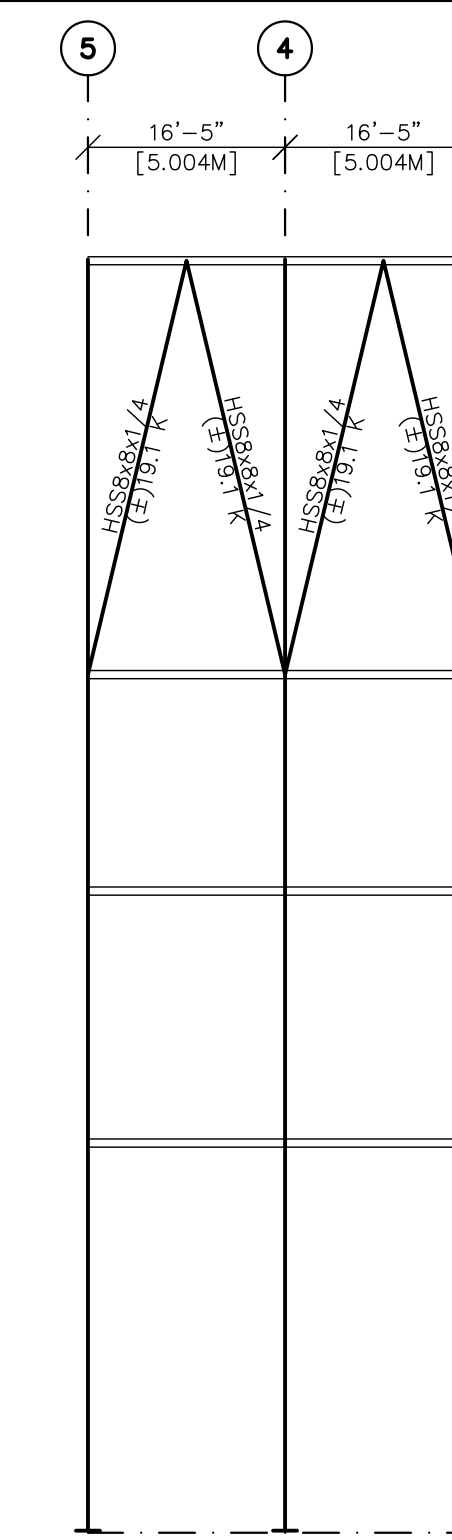
BRACING ELEVATION @ 3 LINE
STEEL FABRICATOR SHALL DESIGN CONNECTIONS



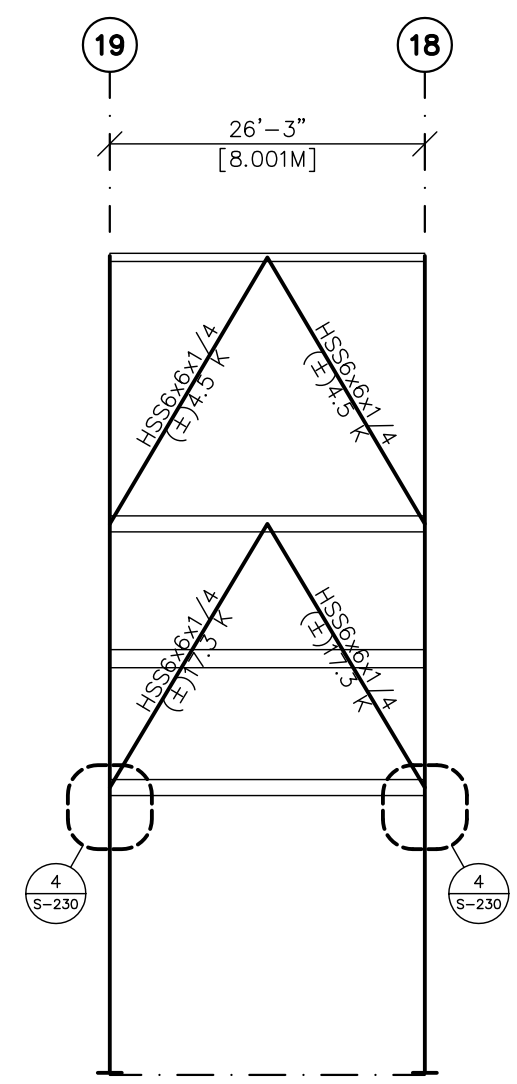
BRACING ELEVATION @ G LINE
STEEL FABRICATOR SHALL DESIGN CONNECTIONS



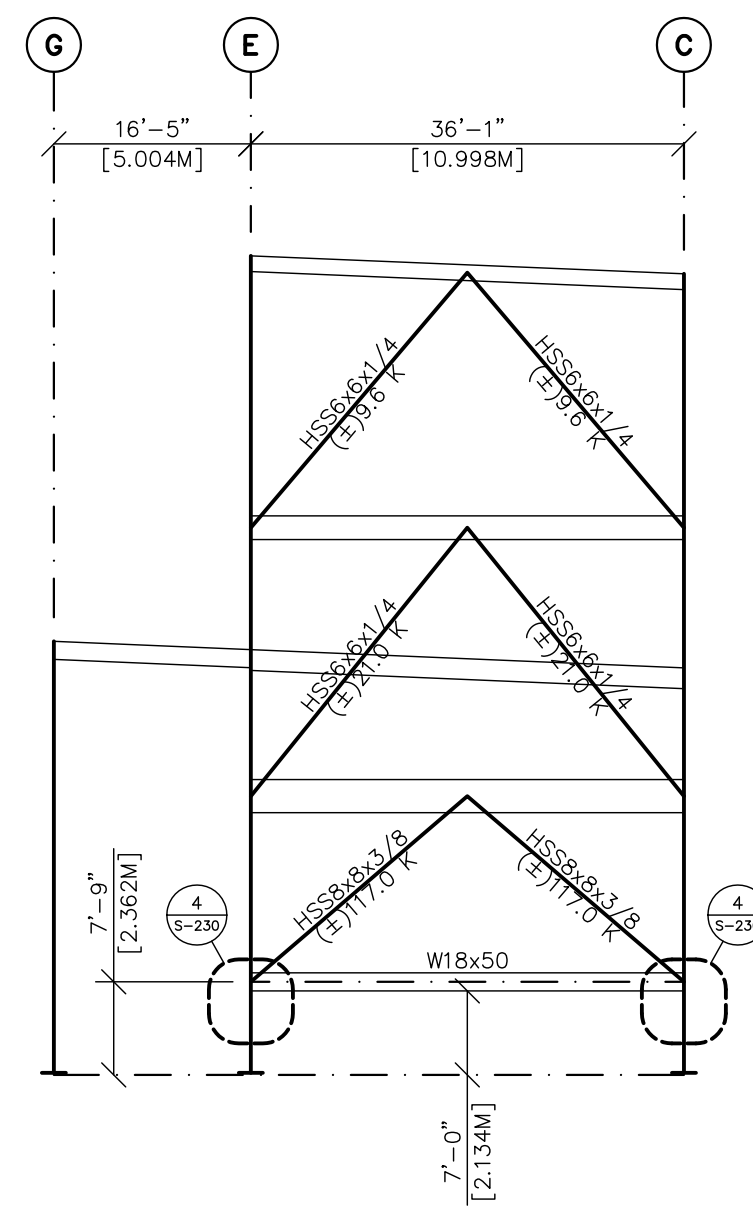
BRACING ELEVATION @ 5 LINE
STEEL FABRICATOR SHALL DESIGN CONNECTIONS



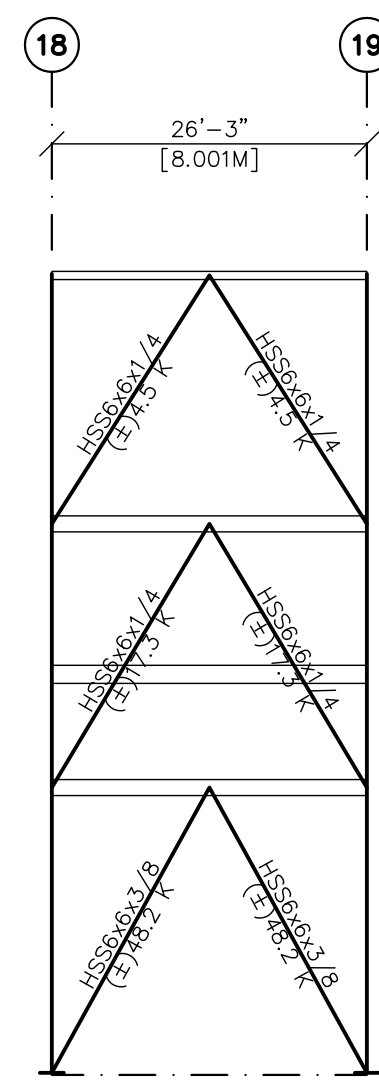
BRACING ELEVATION @ J LINE
STEEL FABRICATOR SHALL DESIGN CONNECTIONS



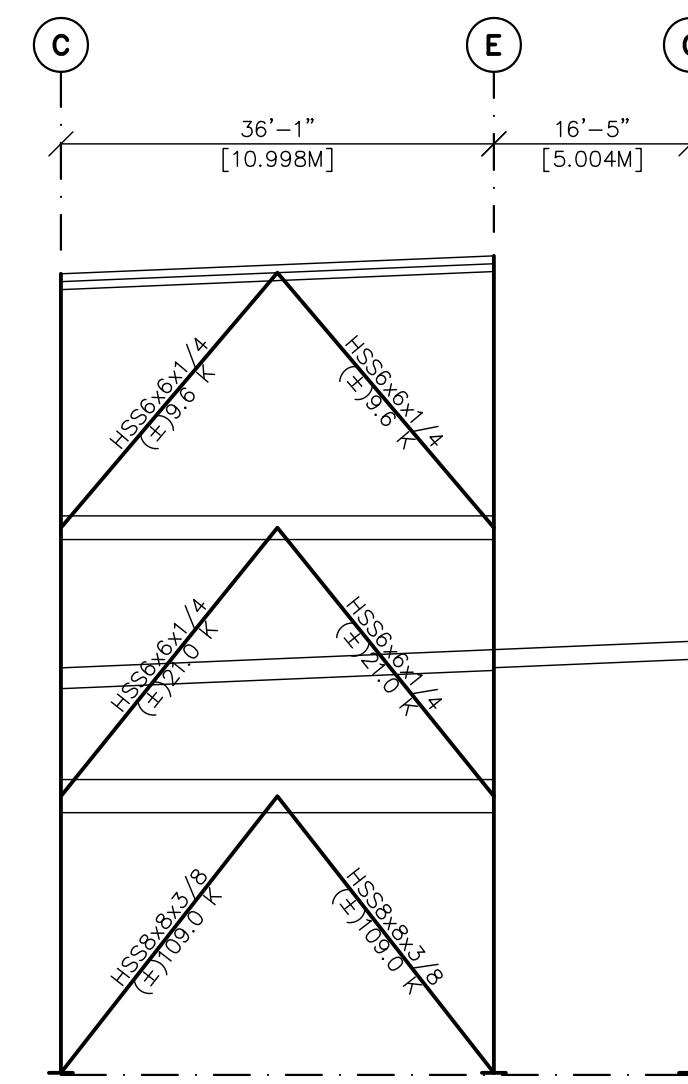
BRACING ELEVATION @ E LINE
STEEL FABRICATOR SHALL DESIGN CONNECTIONS



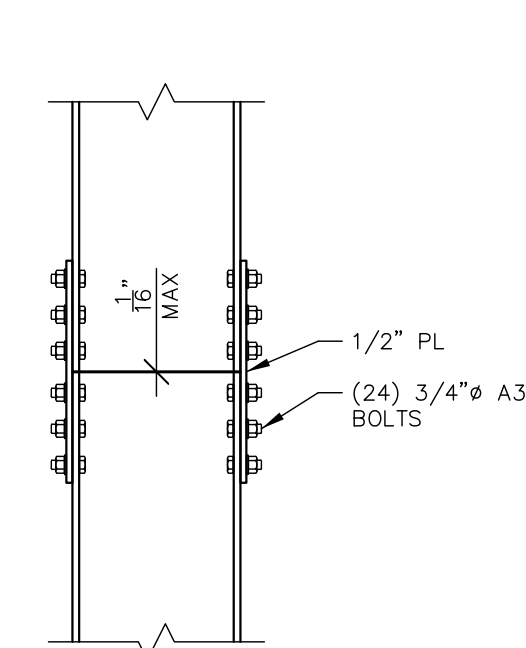
BRACING ELEVATION @ 18 LINE
STEEL FABRICATOR SHALL DESIGN CONNECTIONS



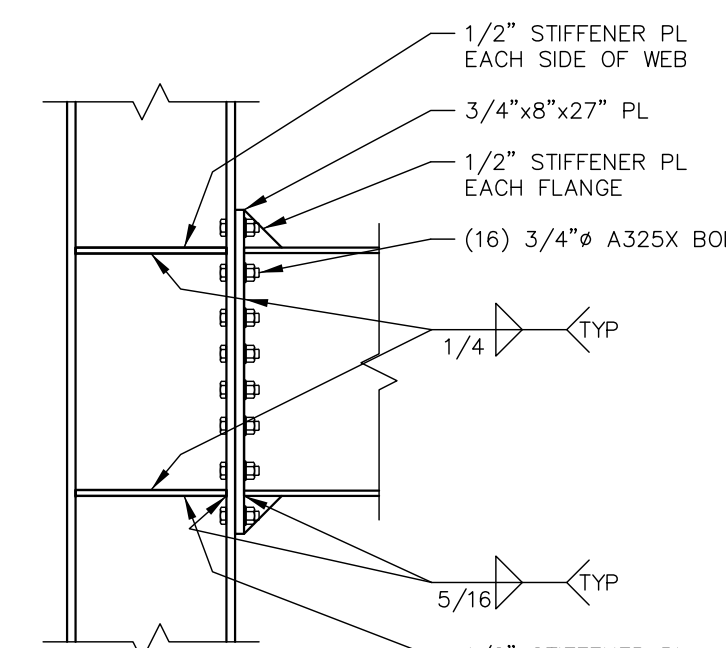
BRACING ELEVATION @ C LINE
STEEL FABRICATOR SHALL DESIGN CONNECTIONS



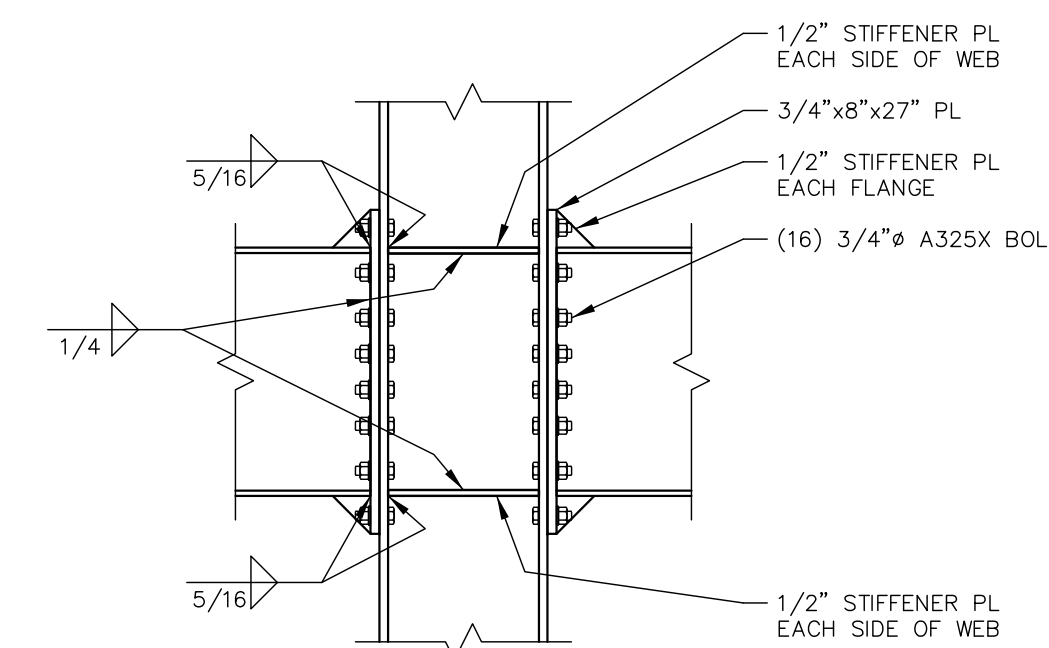
BRACING ELEVATION @ 19 LINE
STEEL FABRICATOR SHALL DESIGN CONNECTIONS



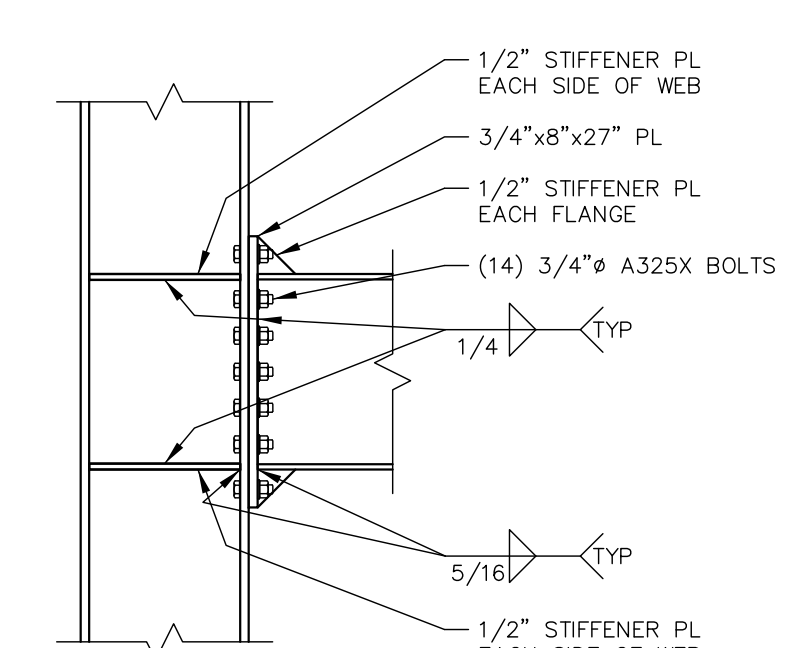
1 SECTION
S-230 W14 COLUMN SPLICE DETAIL



2 SECTION
S-230

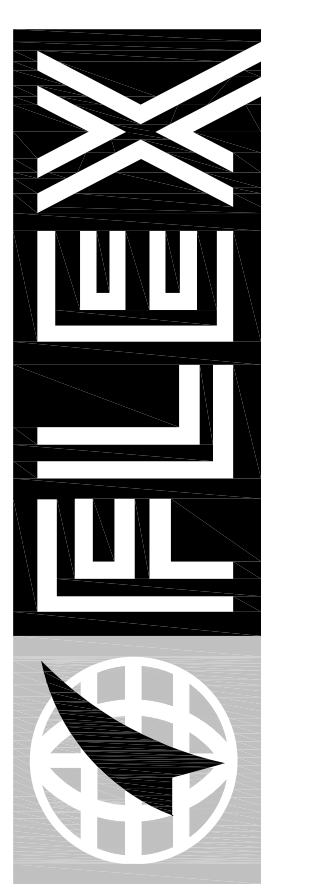
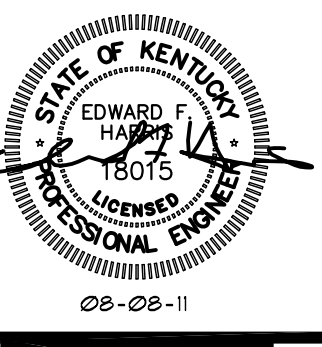


3 SECTION
S-230



4 SECTION
S-230

TOWER BRACING DETAILS



FLEX FILMS (USA) INC.
1221 NORTH BLACK BRANCH ROAD
ELIZABETHTOWN, KENTUCKY 42702
PROJECT L-12 BOPET U.S.A.

| DATE | REVISION | BY |
|------|----------|----|
| | | |

PROJECT NO. 85294-02
DESIGNED BY: EFH
DRAWN BY: GPT/EFH
CHECKED BY: FH
REVIEWED BY:
DATE: JULY 2011
SCALE: AS NOTED

DESIGN PROFESSIONAL LIABILITY: The design professional assumes any and all responsibility and liability for problems which arise from failure to comply with the design professional's specifications and the design professional's code of ethics. The design professional does not assume any liability for problems which arise from failure to comply with the design professional's specifications and the design professional's code of ethics. The design professional is not responsible for any problems which arise from failure to comply with the design professional's specifications and the design professional's code of ethics.

nse OF KENTUCKY, INC.
Engineers
Architects
Planners
624 Wellington Way
Lexington, KY 40503
Phone: (606)223-5694
Fax: (606)223-5607
www.nseinc.com

DRAWING NO.
UFL-L12
S-230